

# Graduated Cups

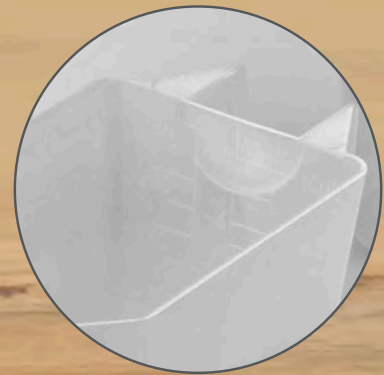
VARIOUS BOWL SIZES AND SHAPES

Measurex® manufactures graduated cups that are used in measuring supplements or nutritional in the veterinarian industry. In the farming industry, these cups are being used to measure feed additives and supplements for weight gain or nutrition for animals.

For example, an equine supplement would need a larger scoop for feed additive. Batches can vary so the graduated cups are a useful tool to adjust your batch dose accordingly with the same scoop.

Our graduated cups come in various bowl sizes and shapes. See chart at right for stock capacities and colors.

Graduated  
Measurement  
Detail

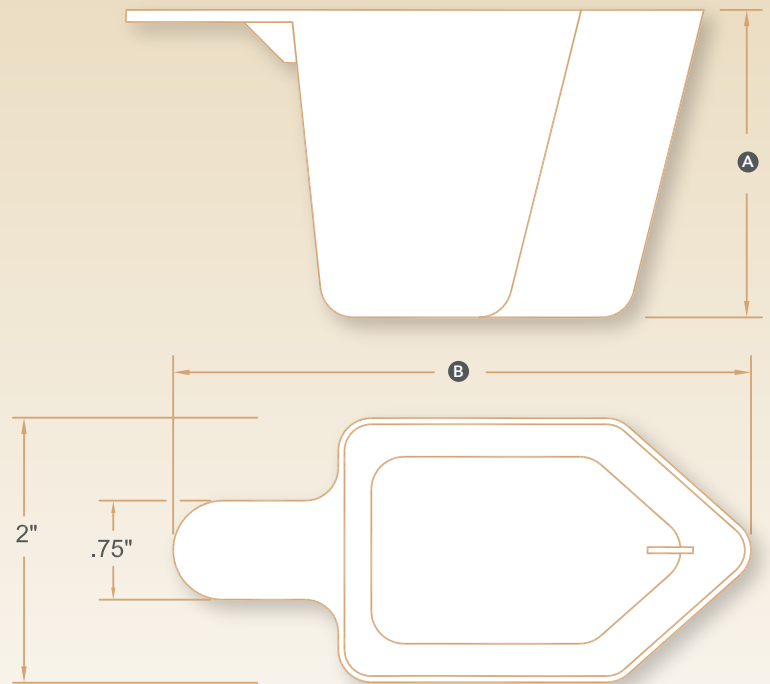
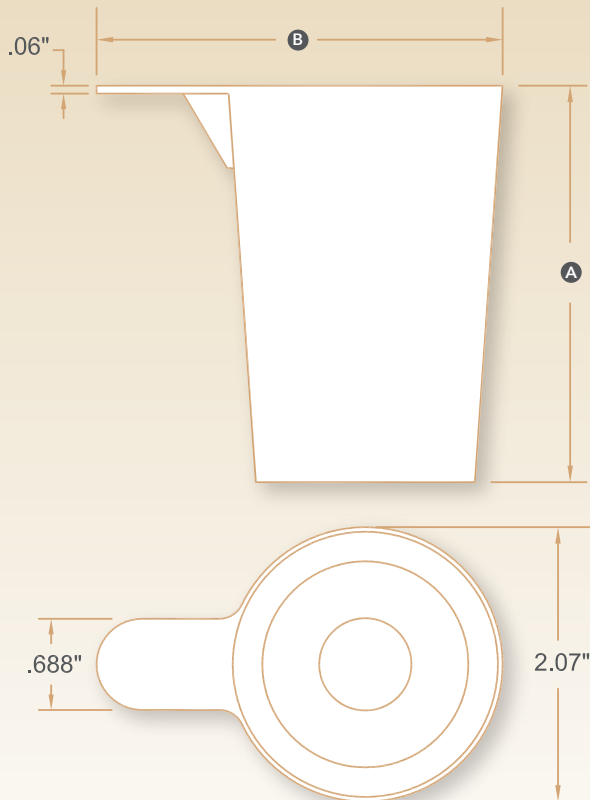






## PRODUCT SPECIFICATIONS

Product ID	Bowl Capacity	Bowl Depth <b>A</b>	Overall Length <b>B</b>	Stock Color/s	Material
4 oz. Round	4.0 oz.	3"	3.062"	Natural	FDA Grade Polypropylene
4 oz. Rectangle	4.0 oz.	2.328"	4.375"	Natural	FDA Grade Polypropylene
8 oz. Cup	8.0 oz.	2.9375"	4.75"	Natural, Blue	FDA Grade Polypropylene
16 oz. Cup	16.0 oz.	4.6875"	5.9375"	Natural	FDA Grade Polypropylene



4 oz. Round and Rectangle cups shown above at 75% of actual size.  
Contact us for detailed product drawings on any size graduated cup.